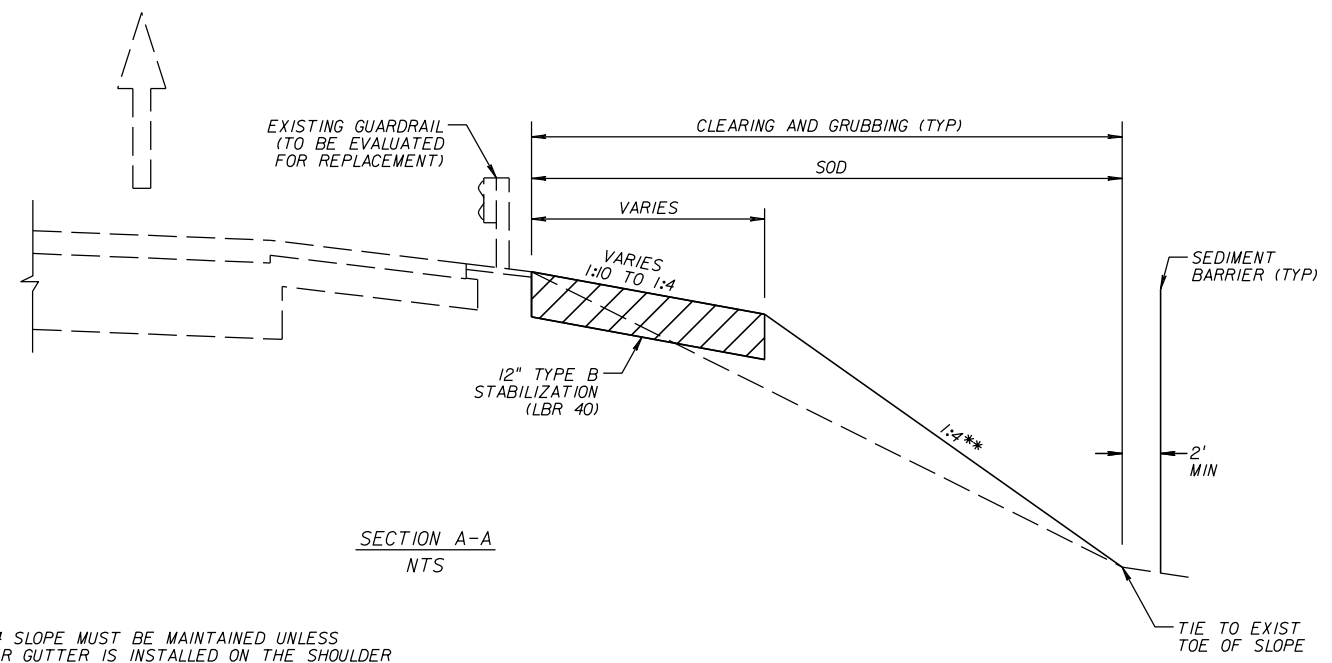
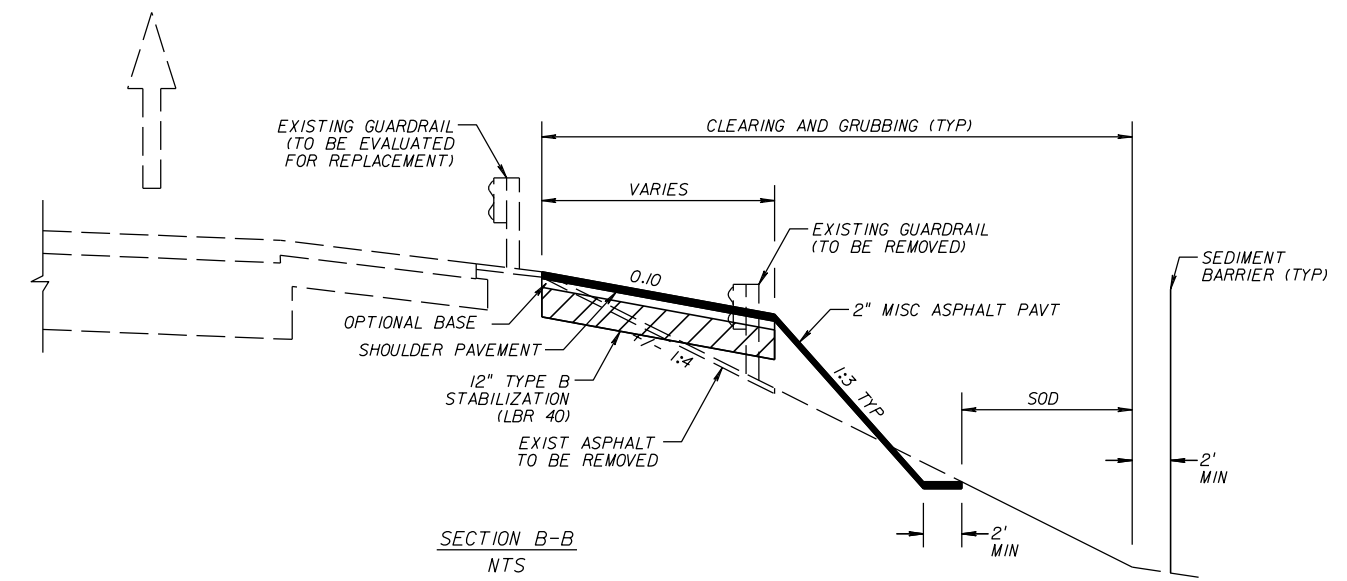


MAINTENANCE ACCESS DETAIL  
NTS

SHOULDER PAVEMENT\*  
NEW CONSTRUCTION  
OPTIONAL BASE GROUP 3 WITH  
TYPE SP STRUCTURAL COURSE (TRAFFIC B) (1 1/2")



SECTION A-A  
NTS



SECTION B-B  
NTS

\*\* A 1:4 SLOPE MUST BE MAINTAINED UNLESS SHOULDER GUTTER IS INSTALLED ON THE SHOULDER GUARDRAIL. SEE FDOT DRAINAGE DESIGN MANUAL 3.7.3 FOR MORE INFORMATION. EOR TO MAKE FINAL DETERMINATION BASED ON EXISTING CONDITIONS.

\* NEW SHOULDER PAVEMENT SHOULD MATCH EXISTING. IF EXISTING IS NOT KNOWN, THEN USE THIS DESIGN.

REVISIONS				STATE OF FLORIDA DEPARTMENT OF TRANSPORTATION			MAINTENANCE ACCESS DETAIL 1	SHEET NO.
DATE	DESCRIPTION	DATE	DESCRIPTION	ROAD NO.	COUNTY	FINANCIAL PROJECT ID		
				SR 91				