

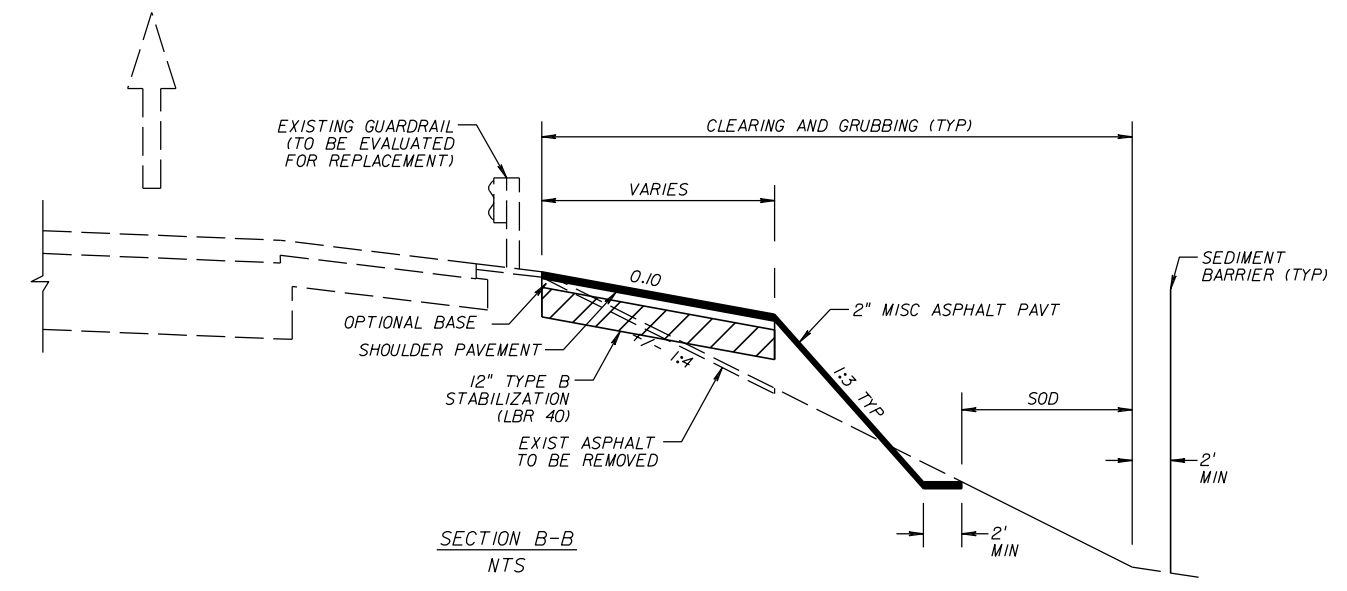
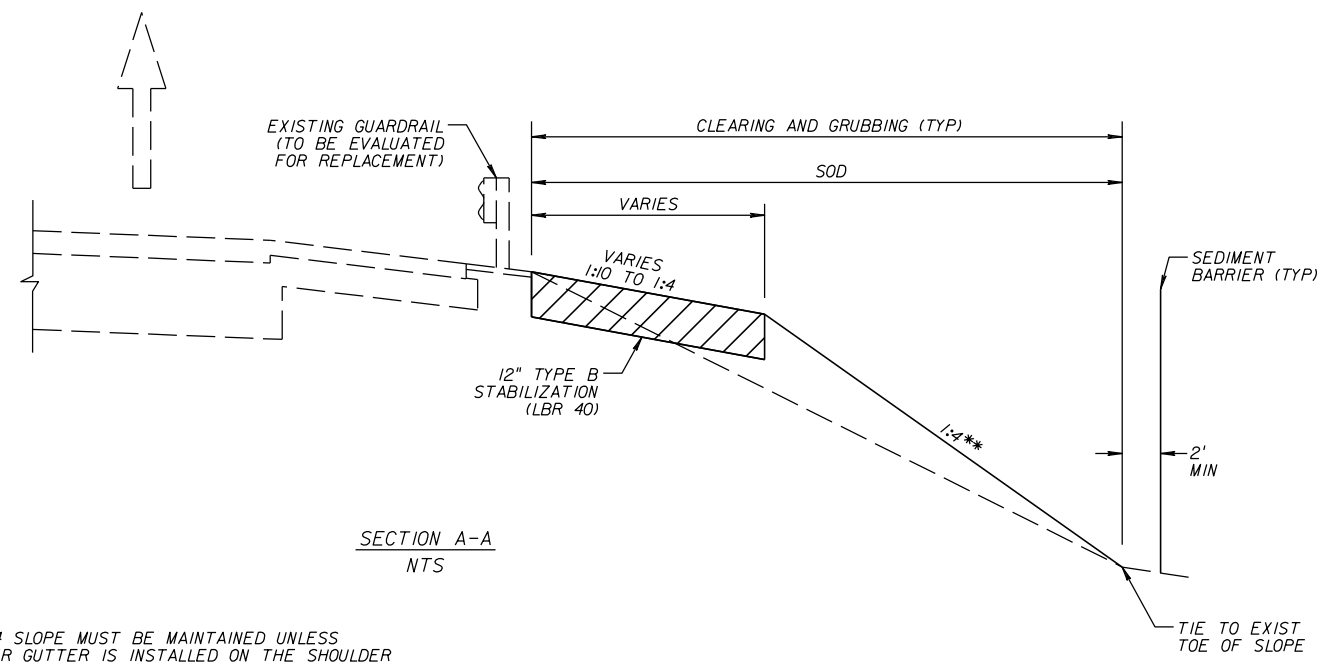
MAINTENANCE ACCESS DETAIL
NTS

*LENGTH OF NEED (L) DEPENDS ON WIDTH OF CLEAR ZONE/MAINTENANCE OPENING, WHICHEVER PROVIDES GREATEST LATERAL OFFSET. ASSUMES MAX. DEPARTURE ANGLE = 15°.

- L = 82' FOR 36' CZ
- = 37' FOR 24' CZ
- = 75' FOR FULL MAINTENANCE OPENING (DIST. FROM EOP + 20' MAINT. ACCESS WIDTH. INTENDED FOR AUXILIARY LANE CONDITIONS)

CLEARANCE WIDTH MAY BE SMALLER IN HIGHLY CONFINED CIRCUMSTANCES. EOR TO MAKE FINAL DETERMINATION BASED ON EXISTING CONDITIONS.

SHOULDER PAVEMENT*
NEW CONSTRUCTION
OPTIONAL BASE GROUP 3 WITH
TYPE SP STRUCTURAL COURSE (TRAFFIC B) (1 1/2")



** A 1:4 SLOPE MUST BE MAINTAINED UNLESS SHOULDER GUTTER IS INSTALLED ON THE SHOULDER GUARDRAIL. SEE FDOT DRAINAGE DESIGN MANUAL 3.7.3 FOR MORE INFORMATION. EOR TO MAKE FINAL DETERMINATION BASED ON EXISTING CONDITIONS.

* NEW SHOULDER PAVEMENT SHOULD MATCH EXISTING. IF EXISTING IS NOT KNOWN, THEN USE THIS DESIGN.

REVISIONS				STATE OF FLORIDA DEPARTMENT OF TRANSPORTATION	ROAD NO. SR 91	COUNTY	FINANCIAL PROJECT ID	MAINTENANCE ACCESS DETAIL 2	SHEET NO.
DATE	DESCRIPTION	DATE	DESCRIPTION						